

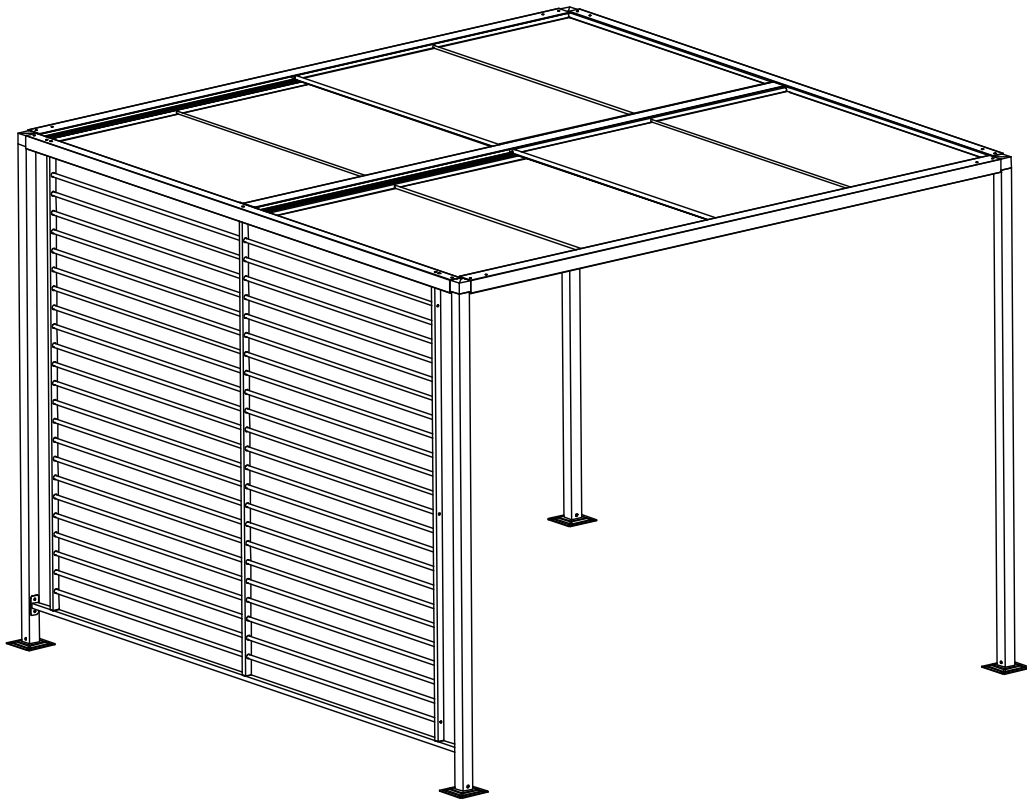


**GARDEN  
MUST  
HAVES**

*"Essential items for your garden"*

# Assembly Instruction

**Item No: 84911**

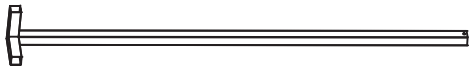


Norfolk Leisure Lifestyle Ltd  
Garage Lane  
Setchey  
Kings Lynn  
Norfolk  
PE33 0AX

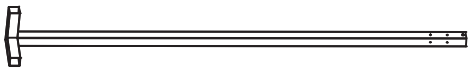
[www.norfolkleisure.com](http://www.norfolkleisure.com)  
[service@norfolkleisure.co.uk](mailto:service@norfolkleisure.co.uk)

Tel : 01553 811 717

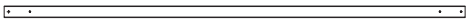
# Parts List



[01] x 2



[02] x 2



[03] x 1



[04] x 1



[05] x 2



[06] x 1



[07] x 1



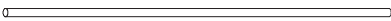
[08] x 2



[09] x 1



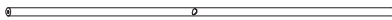
[10] x 3



[11] x 20



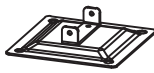
[12] x 8



[13] x 8



[14] x 4



[15] x 4



[16] x 4



[17] x 54  
(M6 x 15)



[18] x 19  
(M6 x 35)



[19] x 3  
(M6 x 75)



[20] x 76



[21] x 1



[22] x 8



[23] x 4

# 01



[01] x 2



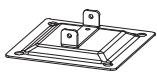
[02] x 2



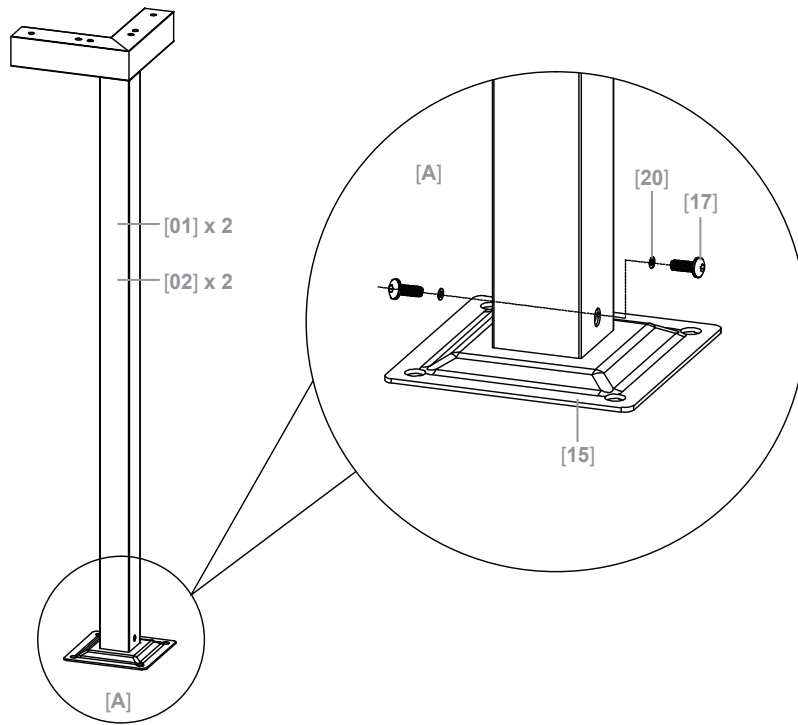
[17] x 8



[20] x 8



[15] x 4



# 02



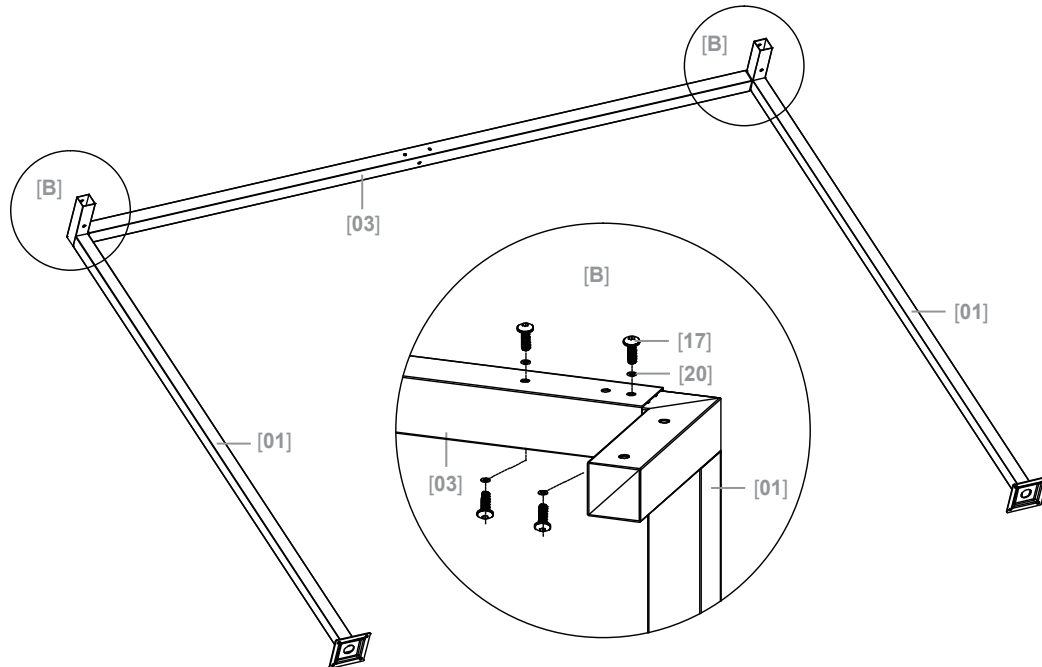
[03] x 1



[17] x 8



[20] x 8



# 03



[04] x 1



[06] x 1



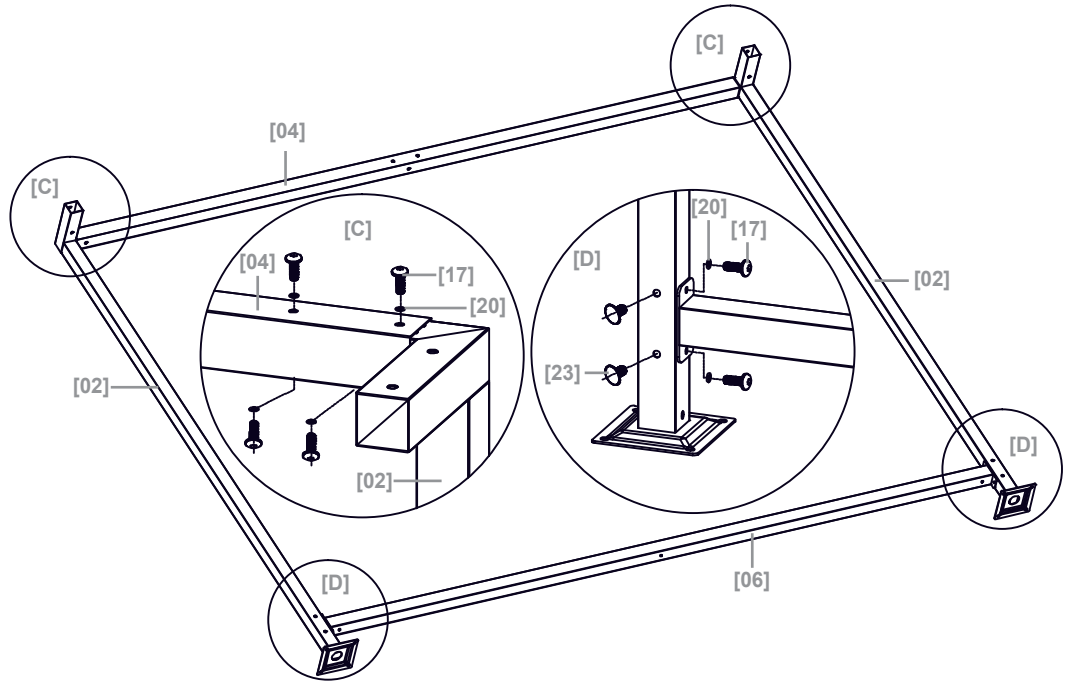
[17] x 12



[20] x 12



[23] x 4



# 04



[10] x 3



[11] x 20



[08] x 2



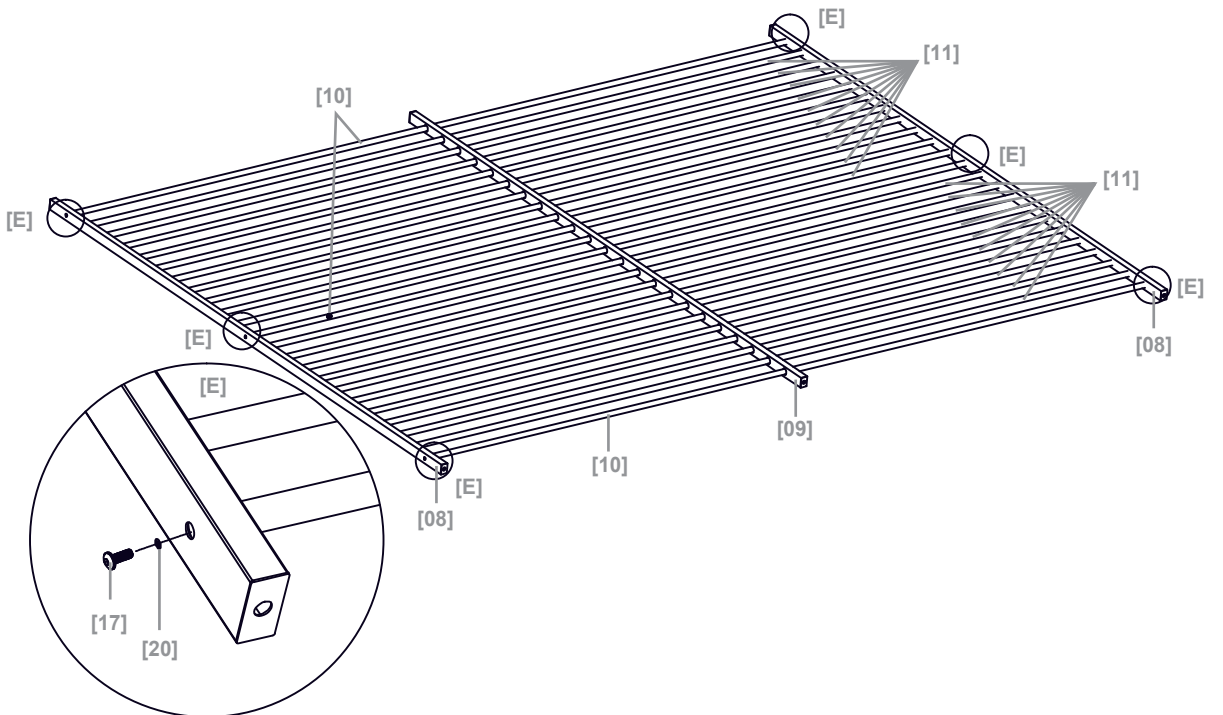
[09] x 1



[17] x 6



[20] x 6



# 05



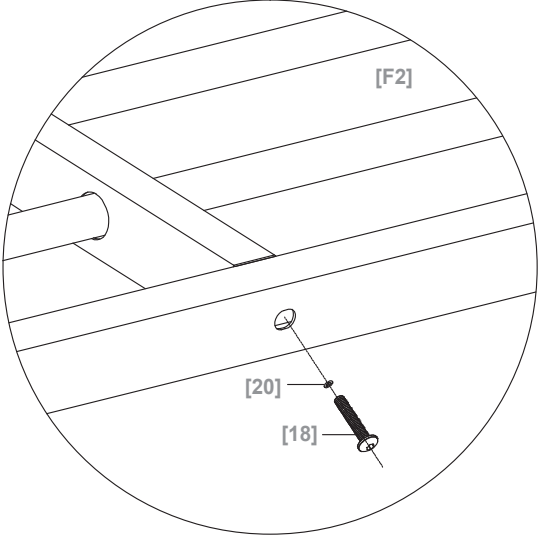
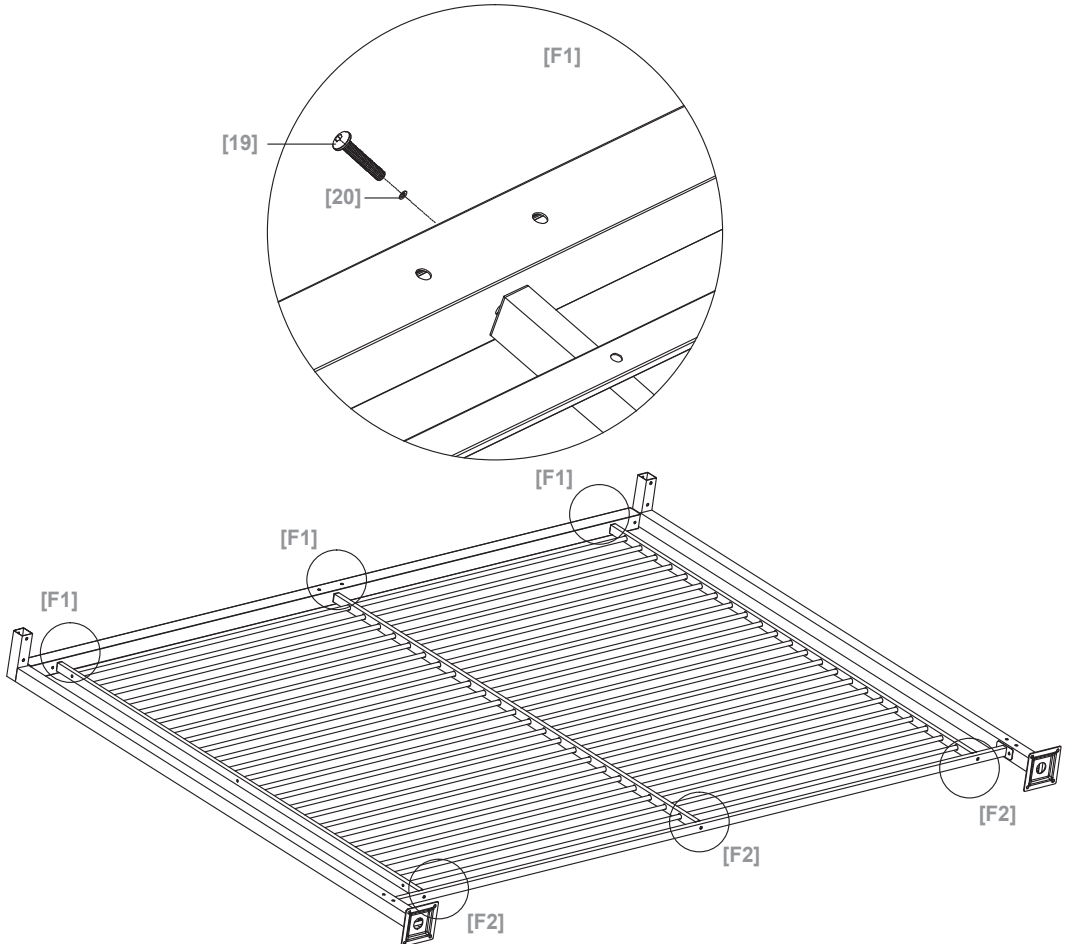
[19] x 3



[18] x 3



[20] x 6



# 06



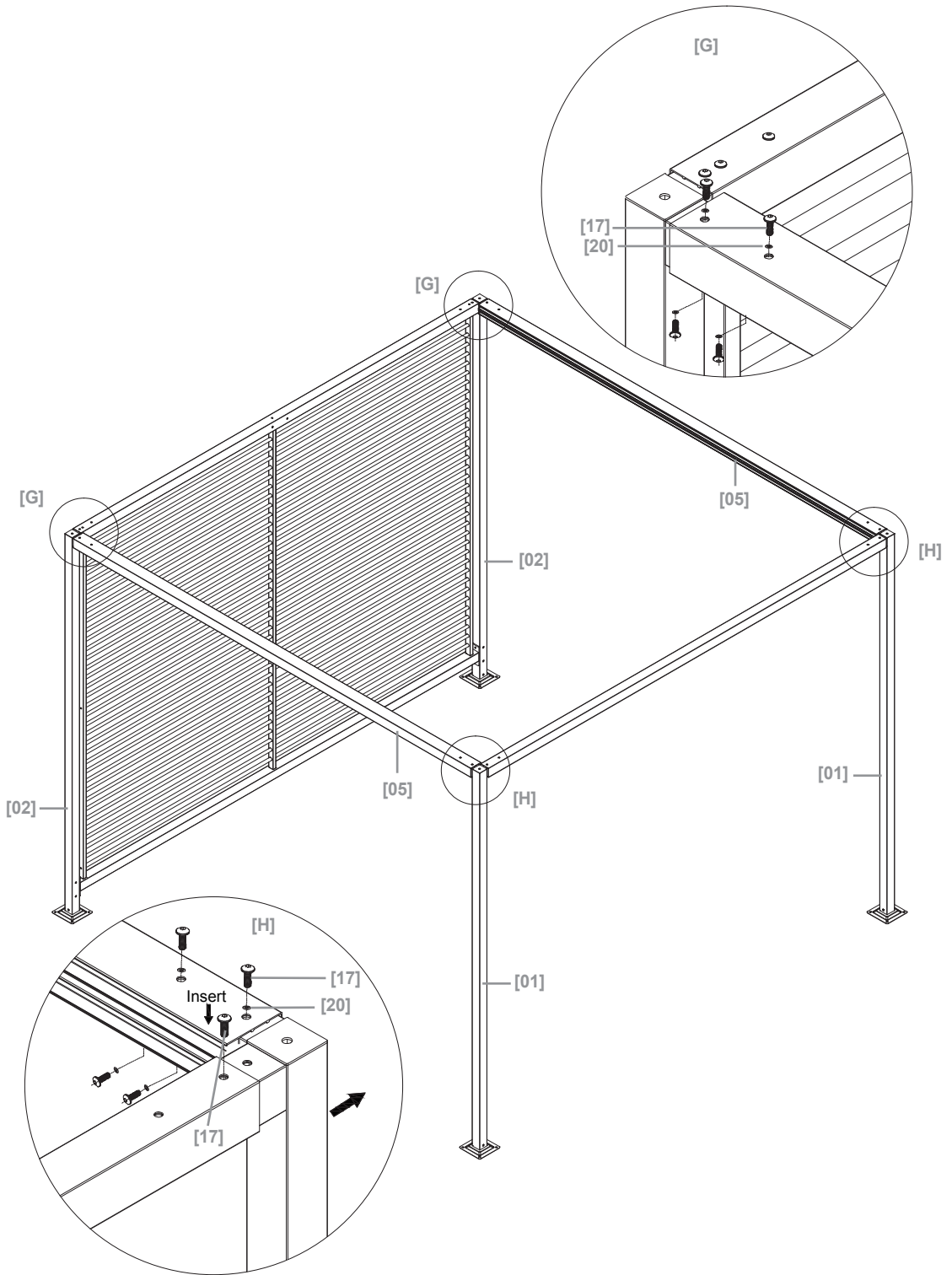
[05] x 2



[17] x 18



[20] x 16



# 07



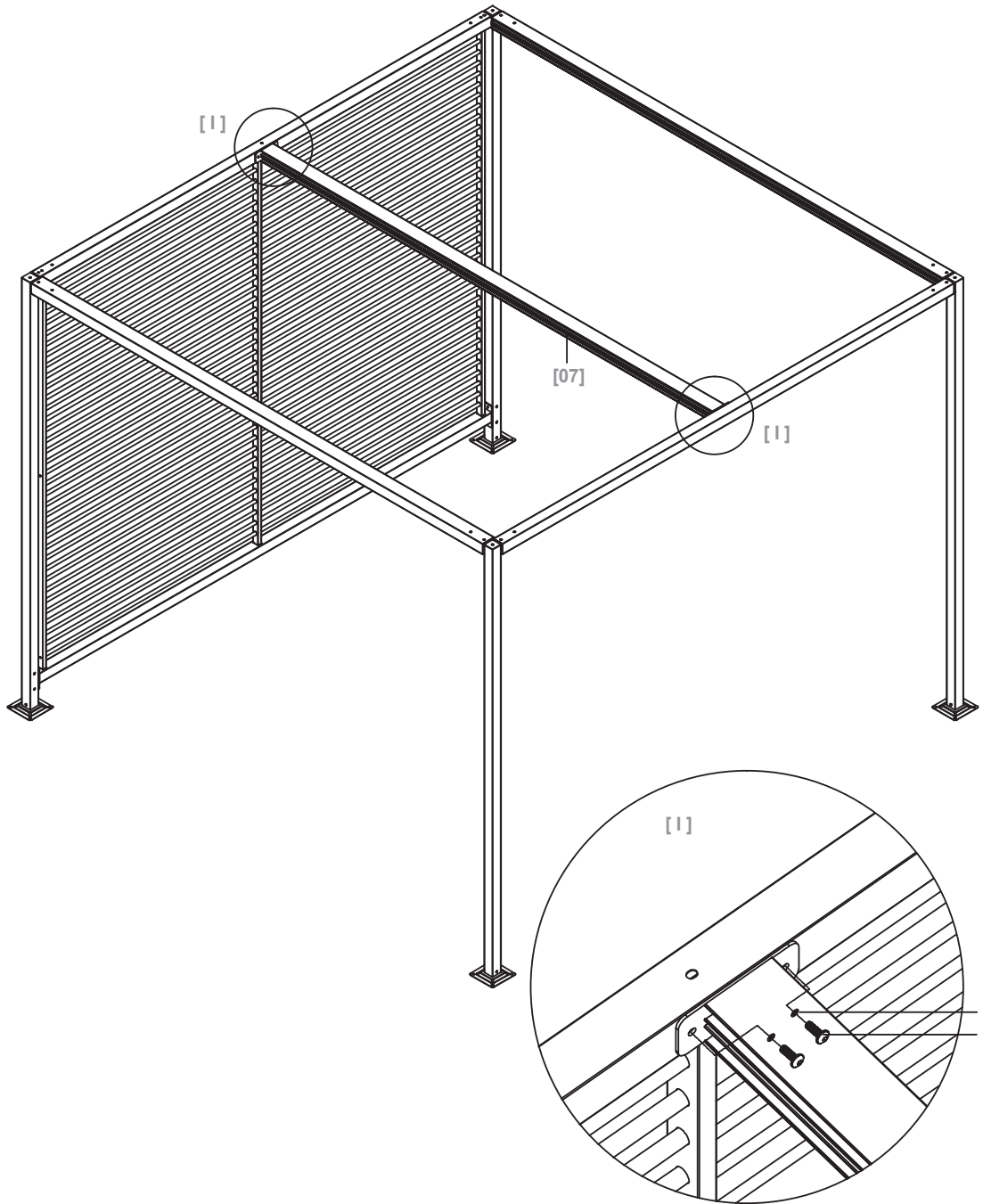
[07] x 1



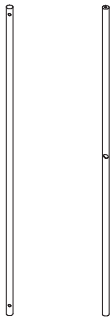
[17] x 4



[20] x 4



# 08



[12] x 8 [13] x 8



[14] x 4



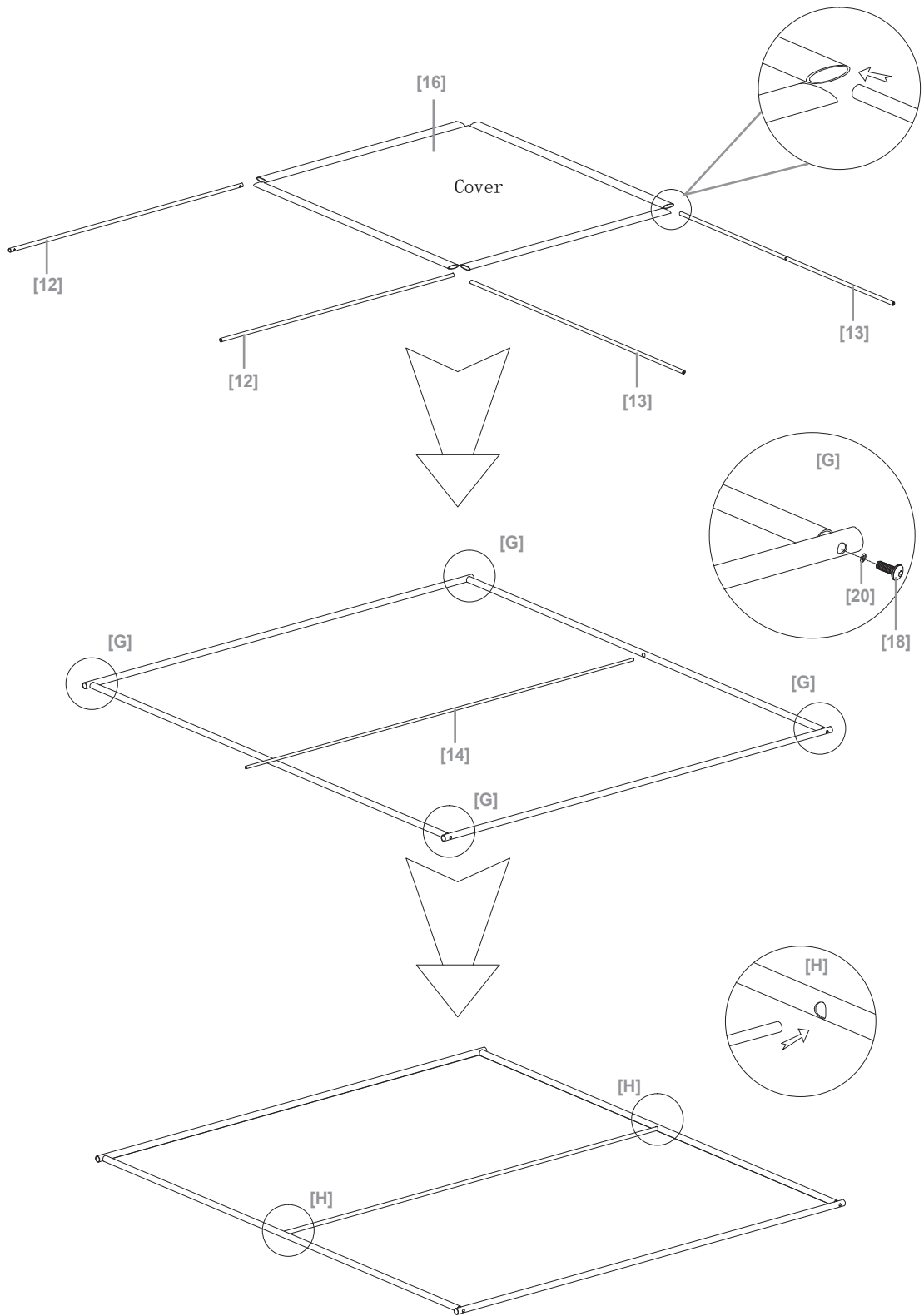
[16] x 4



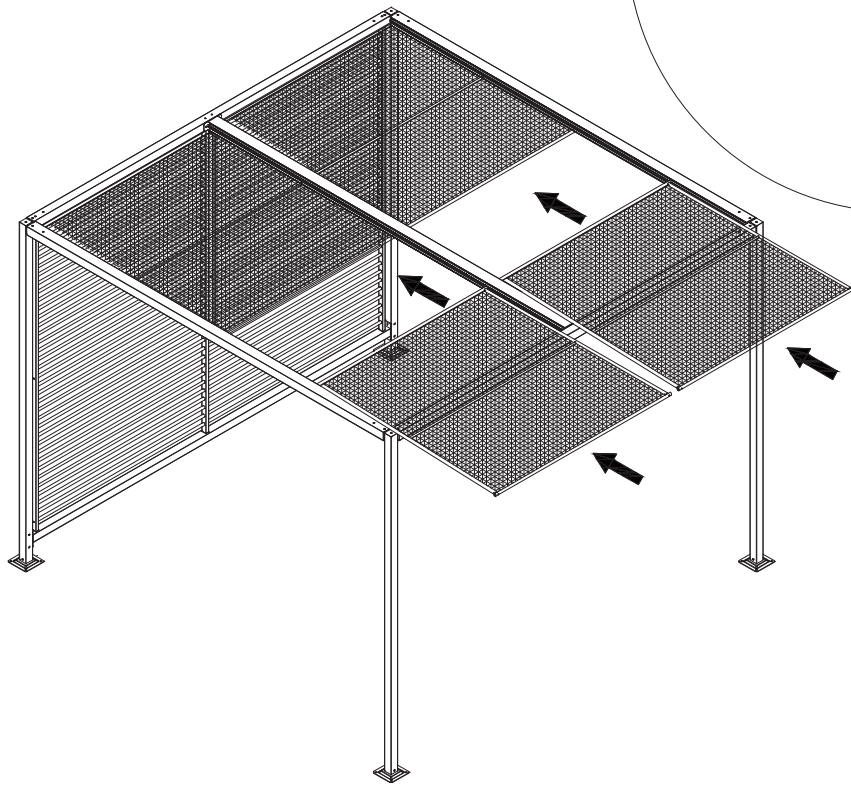
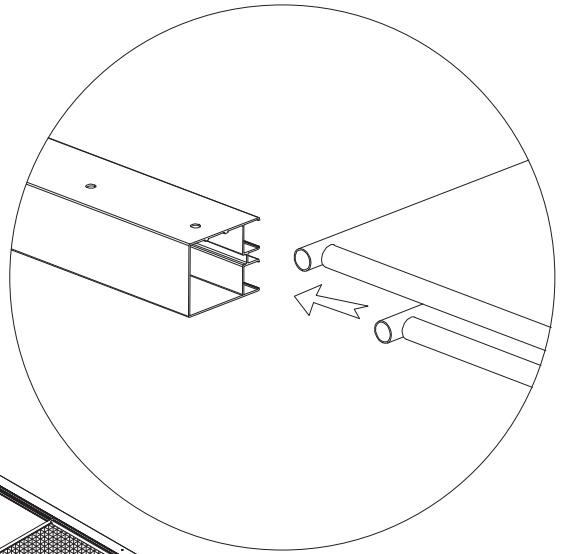
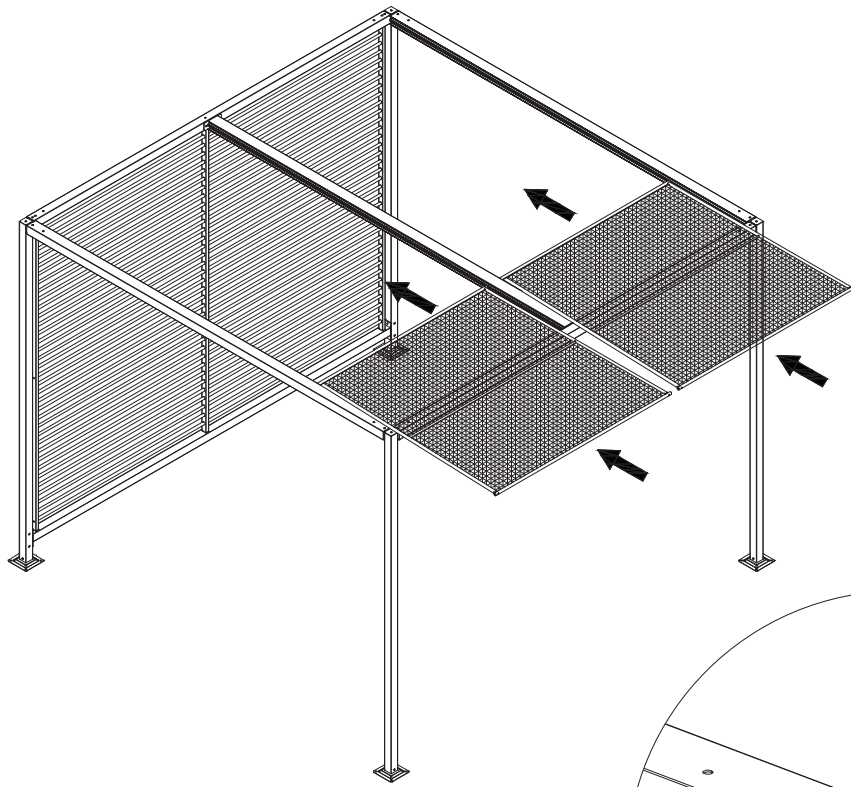
[18] x 16



[20] x 16







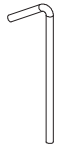
# 10



[17] x 8



[20] x 8



[22] x 8

